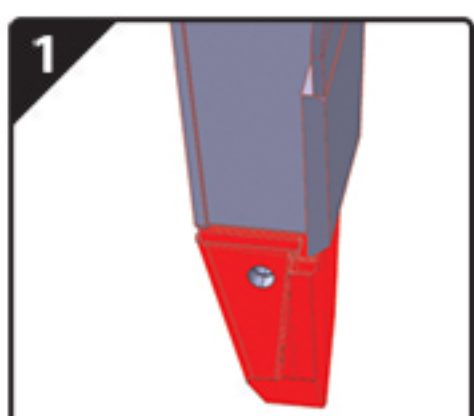
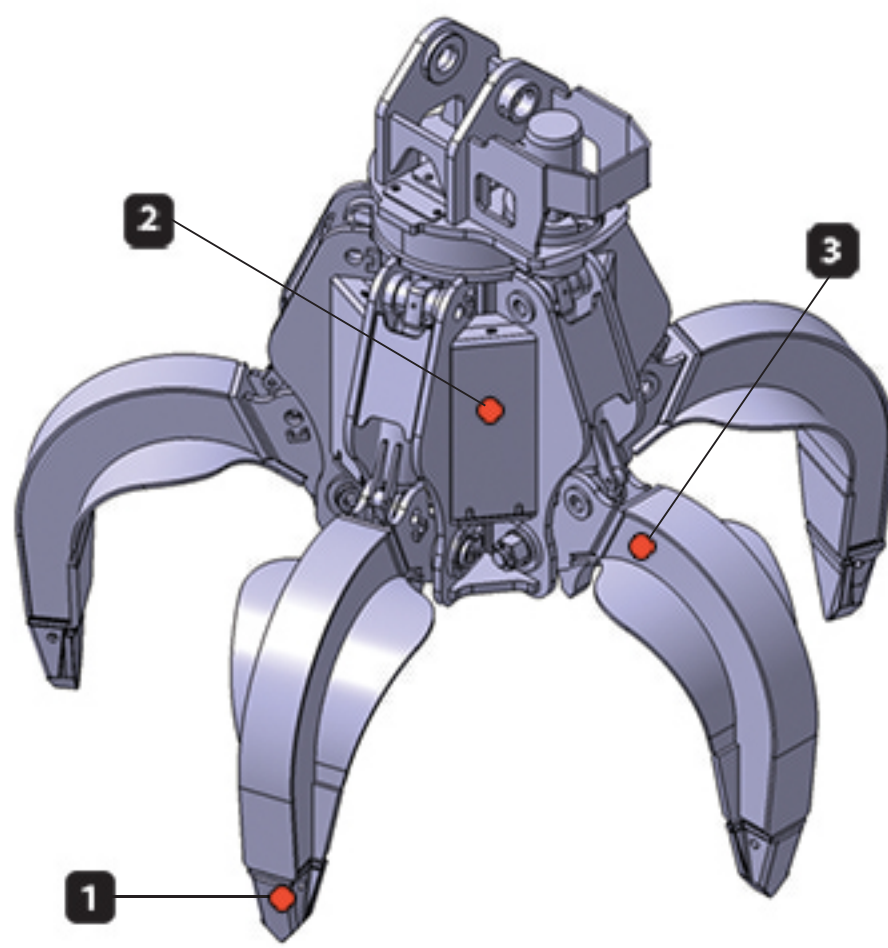
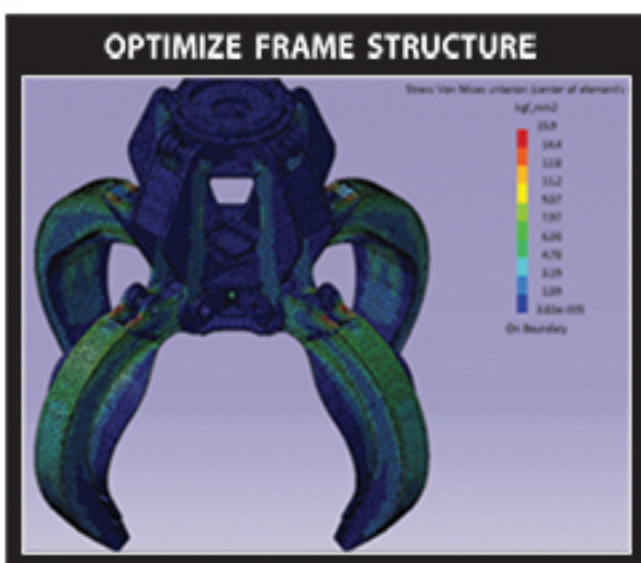


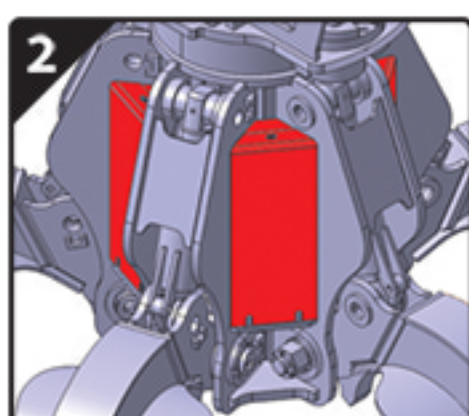
## Features

- High-strength and abrasion resistant steel for durability.
- Highly qualified hydraulic parts for reliability.
- Optimized tine shape for easy penetration and firm grasp.
- Much comfortable space design for easy maintenance.
- Various options available for customer's working condition.



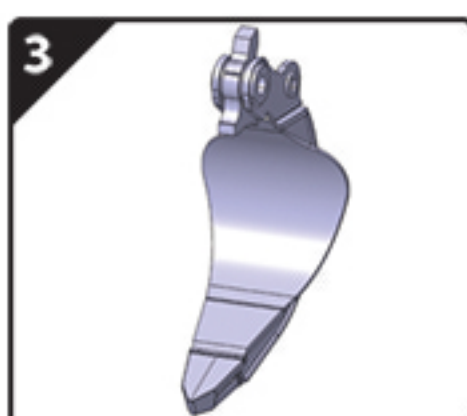
### TOOTH POINT

REPLACEABLE TINE TIPS



### PROTECTORS

ALL HYDRAULIC PARTS  
SPECIALLY PROTECTED



### TINE

HIGH STRENGTH  
ABRASION-RESISTANT  
STEEL FOR LONG LIFE

## OPTIONS

### TOOTH POINT

- EXCHANGABLE TOOTH
- WELDED TOOTH

### ROTATION TYPE

- (H) HYDRAULIC ROTATION
- (M) FREE ROTATION
- (F) NO ROTATION

### NUMBERS OF TINES

- 4 TINES / 5 TINES / 6 TINES



FULLY CLOSED



HALF CLOSED



OPENED



HALF CLOSED TYPE



FULLY CLOSED TYPE



STONE HANDLING TYPE

EXCAVATOR CLASS	SNS MODEL	CAPACITY		A		B		C		D		E		WEIGHT	
		cu.m	cu.yd	mm	ins	mm	ins	mm	ins	mm	ins	mm	ins	kgs	lbs
16~20 tons 44,000 lbs	SOG30-415	0.40	0.52	1340	52.8	1730	68.1	2000	78.7	1770	69.7	2000	78.7	1175	2590
20~24 tons 44,000 lbs	SOG30-515	0.50	0.65	1450	57.1	1880	74.0	2150	84.6	1840	72.4	2090	82.3	1340	2960
24~27 tons 55,000 lbs	SOG40-515	0.50	0.65	1450	57.1	1880	74.0	2150	84.6	1840	72.4	2090	82.3	1600	3530
27~32 tons 66,000 lbs	SOG40-615	0.60	0.78	1500	59.1	2000	78.7	2290	90.2	1980	78.0	2200	86.6	1800	3970
32~40 tons 77,000 lbs	SOG50-715	0.72	0.94	1630	64.2	2210	87.0	2530	99.6	2030	79.9	2220	87.4	2255	4980
40~50 tons 99,000 lbs	SOG50-815	0.80	1.05	1690	66.5	2250	88.6	2640	103.9	2030	79.9	2230	87.8	2385	5260

